

Product model: K324



K324 Product Show



two-channel

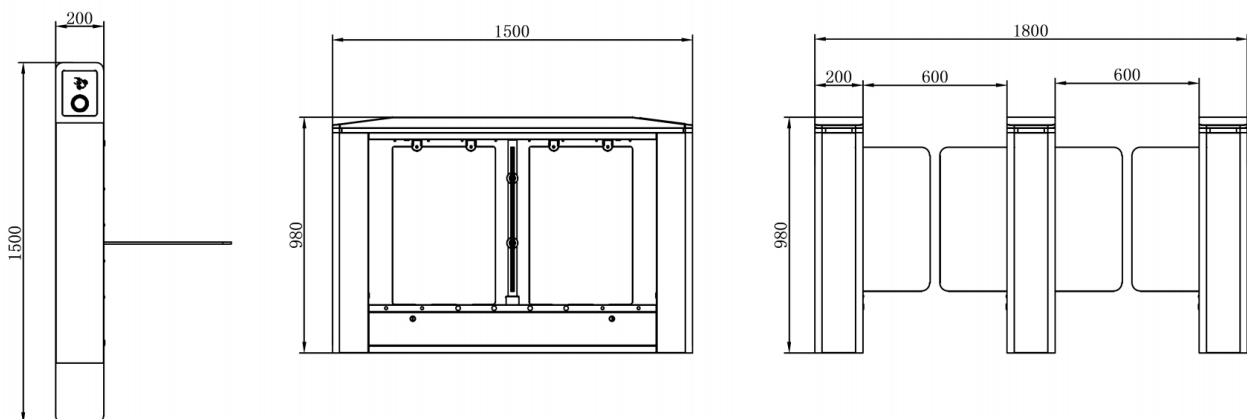


Single channel

Functions & Features

- 1、 Reasonable and reliable design, low noise, smooth operation and long service life;
- 2、 With functions of anti-tail, anti-reverse pass and so on;
- 3、 Card can be set "with memory" or "without memory" functions;
- 4、 With automatic reset function, i.e. after having access to the gate, the gate automatically restores to the locked state if not pass within the time set;
- 5、 With infrared anti-clip function (anti-clip when gate is open or running);
- 6、 Compatible with IC, ID card, scanning and face recognition,etc.
- 7、 Two modes of operation are available: open or closed.
- 8、 Various working modes are available, including two-way card reading and one-way card reading,etc.

Product Size



Parame-

Size (L*W*H)	1500*200*980mm
Pass width	600-900mm
Power	50W
Material	δ =1.5mm SUS304
Bar Material	δ =10mm Acrylic Arm
Movement	Brushless Swing Gate movement
Infrared sensor	14 pairs
Indicator Light	RGB light
Drive Unit	Brushless DC 60K 50W
Power Supply	24V 150W
Control Unit	Brushless control system
Communication Interface	Dry contact & RS485
Pass rate	35-50 persons/minute
Temperature	-20°C~+70°C
Humidity	\leq 90% No condensation
IP	IP4X
Environment	Indoor and outdoor (outdoor with canopy)

Product model: K324

Case share

