

Product model: LA3220

LA3220 Product Show

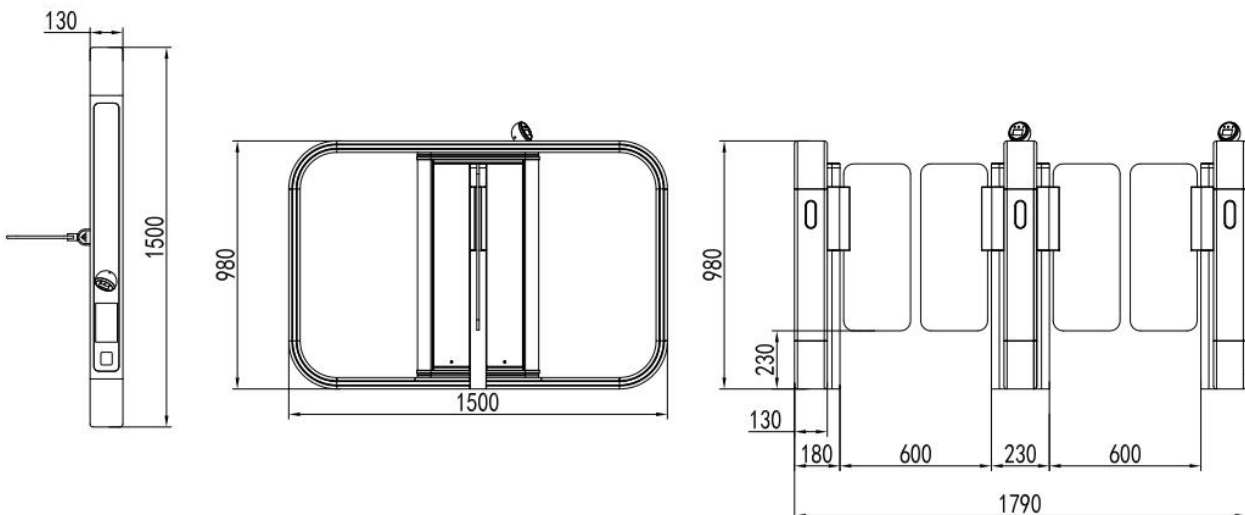


FOR A SAFER WORLD.

Functions & Features

- 1、 Reasonable and reliable design, low noise, smooth operation and long service life;
- 2、 With functions of anti-tail, anti-reverse pass and so on;
- 3、 Card can be set "with memory" or "without memory" functions;
- 4、 With automatic reset function, i.e. after having access to the gate, the gate automatically restores to the locked state if not pass within the time set;
- 5、 With infrared anti-clip function (anti-clip when gate is open or running);
- 6、 Compatible with IC, ID card, scanning and face recognition,etc.
- 7、 Two modes of operation are available: open or closed.
- 8、 Various working modes are available, including two-way card reading and one-way card reading,etc.

Size drawing



Parameter

Size	1500*130*980 (mm)		
Chassis	Description	Norm	Model/Brand
	Top cover	/	/
	Housing	2mm	Aluminum alloy
	Filling Panel	/	/
Movement	Description	Norm	Model/Brand
	Mechanism	Servo Speed Door	/
	Door panel	10mm	Transparent PC
	Pass Lane	600-900mm	Transparent PC
Electronic control	Description	Norm	Model/Brand
	Control board	Servo control board	/
	Motor	Brushless servo 40:1 100W	/
	IR sensor	Safety Light curtain/Bar 48 points	HYD
	Air switch	2P	ZT
	Power supply	24V 500W /12V 3A	MW/CL
Accessories	Description	Norm	Model/Brand
	Connection cable	5m	2*1.0m m ² RVV
	Network cable	5m	Both ends with crystal tips
Package	Description	Norm	Model/Brand
	Pearl cotton	Fully encapsulated protective cotton	/
	cardboard box	360*200*1460	Carton (inner dimensions)

Product model: LA3220

Case share



FOR A SAFER WORLD.